

REVOSTRAP

THE 20 SECOND LEAK REPAIR SYSTEM!

A PRODUCT OF 
CARBONTECH
COMPOSITE SYSTEMS

TABLE OF CONTENTS

PAGE

CONTENT

3

1 OVERVIEW
2 APPLICATIONS
3 KEY FEATURES

4

4 REVOSTRAP

5

5 REVOSTRAP RATCHET

6

6 REVOSTRAP BUNG

7

7 CONTACT DETAILS

REVOSTRAP

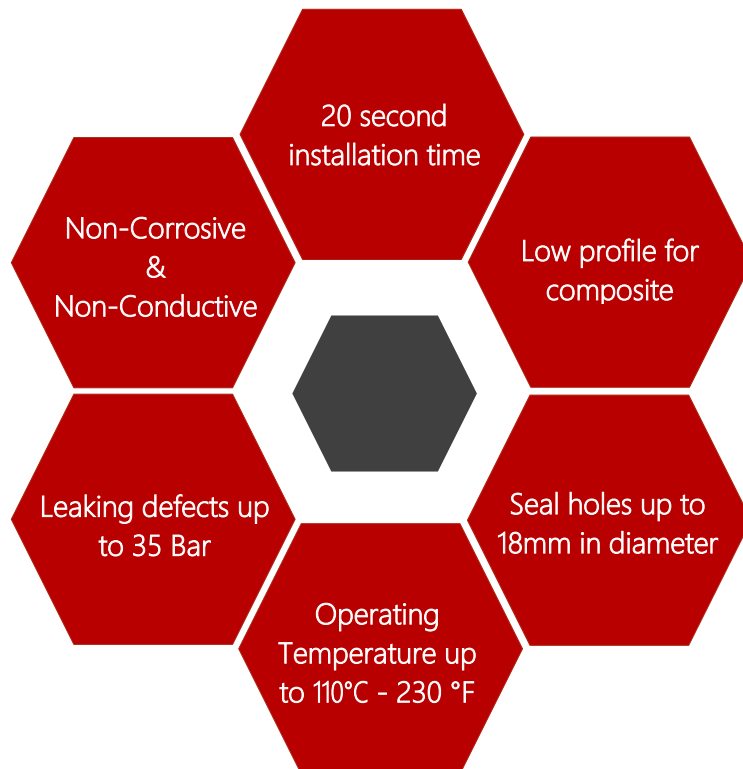
OVERVIEW

Carbontech introduces the Revostrap smart system to our arsenal to combat enduring site complications of leaking defects. It is not an industry secret that no composite repairs can be wrapped over active leaks. Revostrap smart systems is the answer! The Revostrap smart system is lightweight, cost effective and very simple to use, it is the strongest temporary leak sealing strapping device on the market.

APPLICATIONS

- Oil and gas platforms
- Chemical and Petrochemical plants
- Transmission pipelines
- Temporary leak repair for composite overwraps
- Diver friendly for Underwater leaks
- Concrete lines
- Large diameter piping or vessels
- Temporary Leak Repairs for Composite overwraps

KEY FEATURES



REVOSTRAP TECHNICAL SPECIFICATIONS

| STRAP DIMENSIONS | | | | | | |
|------------------|---------------|---------------------|-------|---------------|--------------------------------|----------|
| Part Number | Base Material | Max Temp Resistance | | Flammability* | Strength measured on Dia 600mm | |
| RS19 | PA12GF | 110°C | 230°F | HB | 1453 kgf | 3203 lbf |
| RS32 | PA12GF | 110°C | 230°F | HB | 2689 kgf | 5929 lbf |

| STRAP MATERIALS AND SPECIFICATIONS | | | | | | | | |
|------------------------------------|-------------|-------|-----------------|-------|-----------------------|-------------------|-----------------|-------------|
| Part Number | Strap width | | Strap Thickness | | Strap Length Mm/In | Buckle Dimensions | | |
| | mm | in | mm | in | | Height mm/In | Length mm/In | Width mm/In |
| RS19 | 19mm | ¾" | 3.6mm | 0.14" | 1000/39.37 | 23.4/0.92 | 58.6/2.31 | 37.4/ 1.47 |
| RS32 | 32mm | 1 ¼ " | 4.7mm | 0.19" | 2000/78.7 | 30.0/1.18 | 74.0/2.91 | 51.9/2.04 |

RS32: 32mm Polyamide 12 Glass Reinforced **REVOSTRAP**

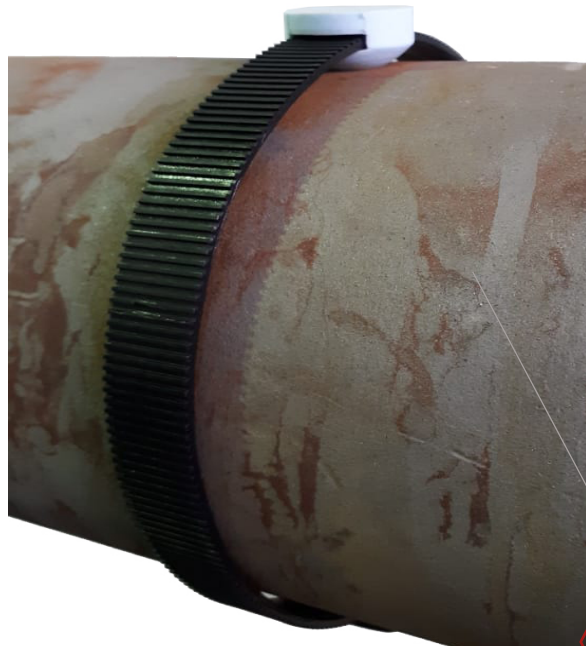


RS19: 19mm Polyamide 12 Glass Reinforced **REVOSTRAP**



REVOSTRAP THE 20 SECOND LEAK REPAIR SYSTEM!

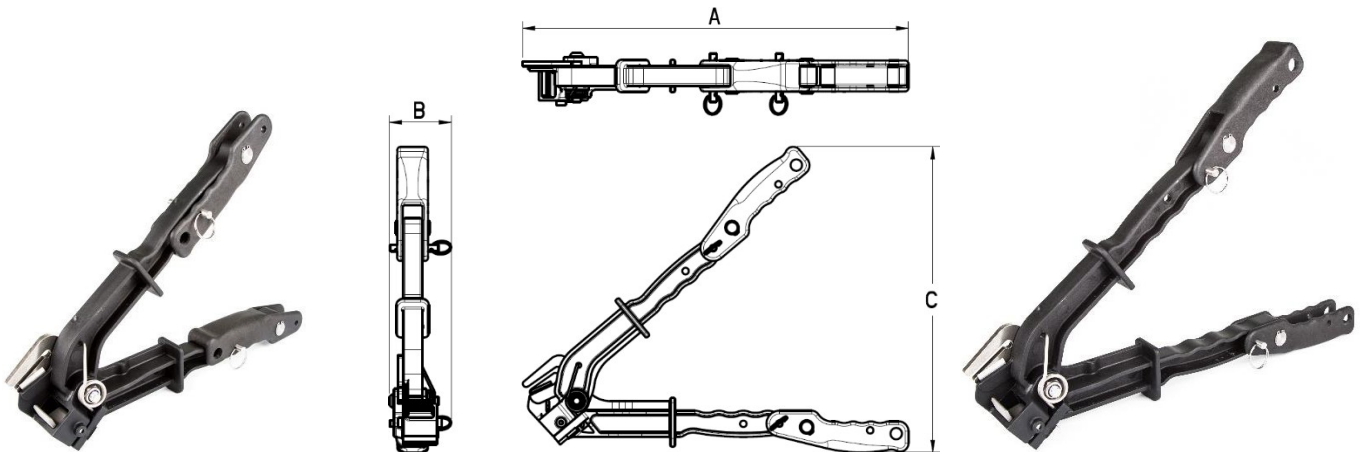
- Bungs are reversible and may be rotated according to the defect size or shape
- Excess Bungs can be cut off after installation to lower profiles for overwraps
- Excess strap is removed by the Revostrip ratchet



REVOSTRAP RATCHET TECHNICAL SPECIFICATIONS

RS-R19: 19mm **REVOSTRAP RATCHET**

RS-R32: 32mm **REVOSTRAP RATCHET**



| RATCHET SPECIFICATIONS | | | | | | |
|------------------------|----------------------|-----|------|--------------------|-------------------|-------------------|
| Part Number | Min System Retention | | | Installation Speed | Min pipe Diameter | Max Pipe Diameter |
| | N | kgf | lbf | | | |
| RS-R-19 | 3500 | 357 | 787 | 20 Seconds | 4" | No Limit |
| RS-R-32 | 7000 | 714 | 1574 | 20 Seconds | 8" | No Limit |

| GENERAL PROPERTIES RS-R32 | | |
|---------------------------|------------------|-----------|
| Property | Value | Unit |
| Weight | 1.33 (2.92) ± 2% | kg (lb) |
| Length (A) | 475 (18.7) | mm (inch) |
| Width (B) | 76 (3.0) | mm (inch) |
| Height (C) | 375 (14.8) | mm (inch) |

| GENERAL PROPERTIES RS-R19 | | |
|---------------------------|------------------|-----------|
| Property | Value | Unit |
| Weight | 0.75 (1.65) ± 2% | kg (lb) |
| Length (A) | 362 (14.3) | mm (inch) |
| Width (B) | 61 (2.4) | mm (inch) |
| Height (C) | 281 (11.1) | mm (inch) |



REVOSTRAP BUNG TECHNICAL SPECIFICATIONS

RS-SA30-19
REVOSTRAP 30 BUNG

Designed for Low pressure, deformed through wall corrosion or heavily pitted and corroded areas

RS-SA50-19
REVOSTRAP 50 BUNG

Designed for med to high pressure, slightly deformed through wall corrosion or pitted and corroded areas

RS-SA80-19
REVOSTRAP 80 BUNG

Designed for high pressure through wall defects



| Product Code | For Strap model | Base Material | Hardness | Dimensions | | Color | Workable Temp Range | |
|--------------|-----------------|---------------|----------|------------|----------|------------|---------------------|-----------------|
| | | | | Height | Diameter | | Min Temp °C/ °F | Max Temp °C/ °F |
| RS-SA30-19 | RS19 | Silicone | 30 | 25 | 30 | Light Blue | -53/-65 | 232/450 |
| RS-SA50-19 | RS19 | Silicone | 50 | 25 | 30 | Dark Blue | -53/-65 | 232/450 |
| RS-SA80-19 | RS19 | Polyurethane | 80 | 25 | 30 | Yellow | -40/-40 | 100/212 |
| RS-SA30-32 | RS32 | Silicone | 30 | 25 | 40 | Light Blue | -53/-65 | 232/450 |
| RS-SA50-32 | RS32 | Silicone | 50 | 25 | 40 | Dark Blue | -53/-65 | 232/450 |
| RS-SA80-32 | RS32 | Polyurethane | 80 | 25 | 40 | Yellow | -40/-40 | 100/212 |

Extensively tested by 3rd party laboratories



CONTACT DETAILS

TULSA, OK, USA

+1 918 813 7882
jw@revowrap.com
7136 South Yale Avenue, Suite 300 Tulsa,
Oklahoma, 74136

PERTH, AUSTRALIA

+61 (0) 407 208 978
Peter.v@revowrap.com
63 Cocos Drive, Bibra Lake
Western Australia, 6163

SINGAPORE

+65 976 70656
sales@carbontech-asia.com
32A Sea Avenue, Singapore 424253

JOHANNESBURG, SOUTH AFRICA

+27 (0) 10 446 6866
info@revowrap.com
Unit A5, Growthpoint Industrial Estate
Bell Street, Meadowdale, Germiston, 1614

AMSTERDAM, NETHERLANDS

+31 6 2347 6562
ghelder@ctebv.eu
Pippeloentjie 16, 4207WL, Gorinchem

MIDDLE EAST

+96 87801 7563
Shaun.a@revowrap.com
PO Box 223, Postal code 124, Road no. 20
Rusayl Industrial Area, Sultanat of Oman

LANCASHIRE, UK

+44 7845 012690
Shaun.a@revowrap.com
5 Gorse Lane, Tarleton

BYDGOSZCZ, POLAND

+48 601 707 946
Ks Skorupki 98b Street
Office 26, 85-156

PROGRESSIVE COMPOSITE ENGINEERING

www.revowrap.com

